

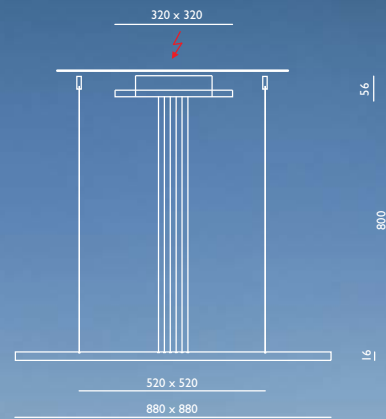
Arctic

CODE 4630 +  LED

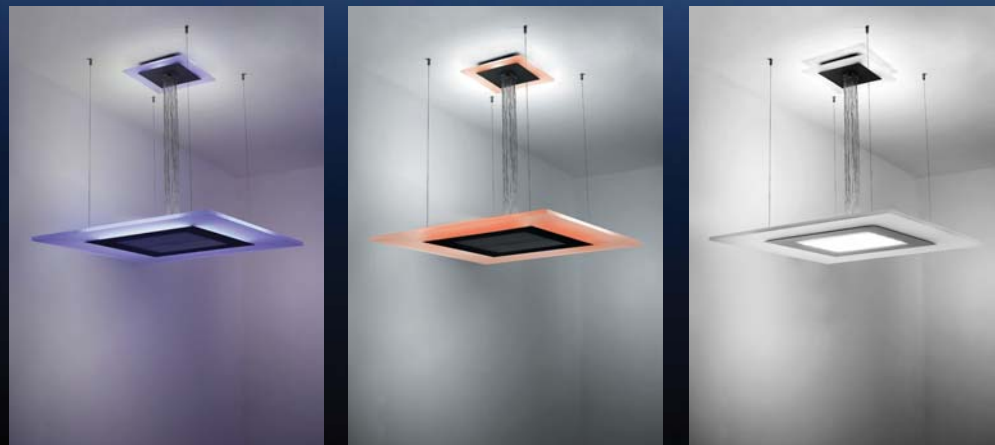
4 x 11W, T2, W 4,3x8,5d, EVG + LED, 16W/230V W ■ B ■ G ■ Y ■ R ■

CODE 4631

4 x 11W, T2, W 4,3x8,5d, EVG + LED RGB, 16W/230V



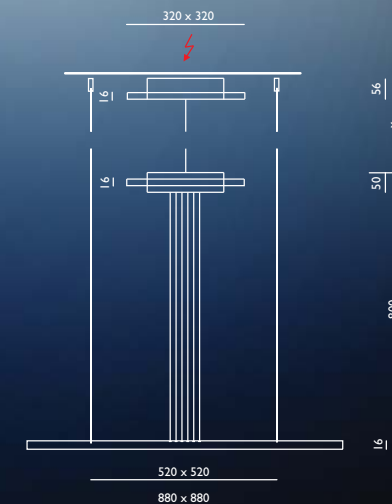
Design by Alexander Dubský




Design by Alexander Dubský
Top Light Award, Pragointerier 2009



Arctic Long



CODE 4632 +  LED

4 x 11W, T2, W 4,3x8,5d, EVG + LED, 16W/230V W ■ B ■ G ■ Y ■ R ■

CODE 4633

4 x 11W, T2, W 4,3x8,5d, EVG + LED RGB, 16W/230V

