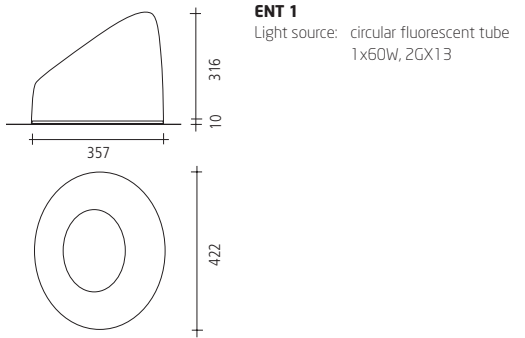
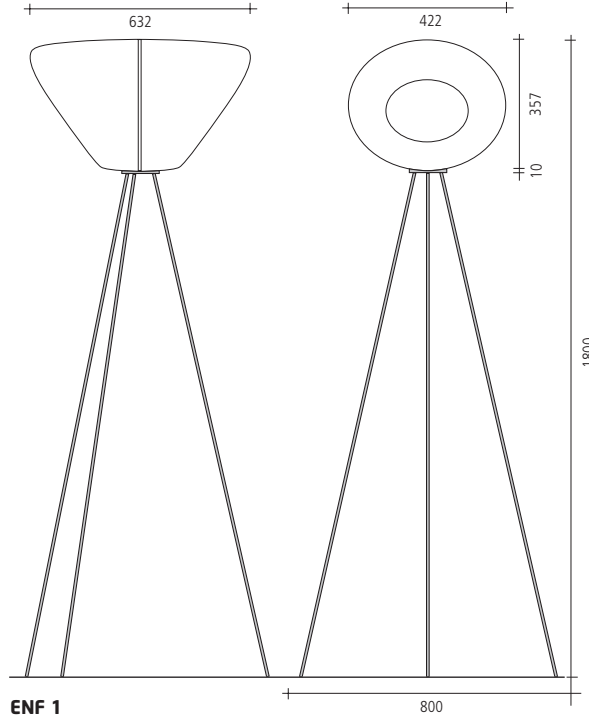


ENGINE ENT 1, ENT 2 - table luminaires, Tischleuchten
ENGINE ENF 1 - floorstanding luminaire, Stehleuchte



ENT 1
 Light source: circular fluorescent tube
 1x60W, 2GX13

ENT 1
 Light source: circular fluorescent tube
 1x60W, 2GX13

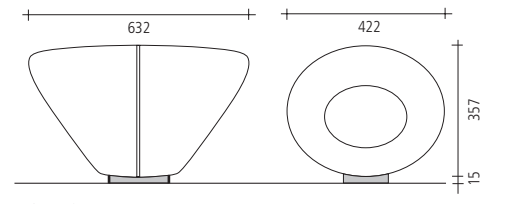


ENF 1

ENF 1

ENF 1
 Light source: circular fluorescent tube
 2x60W, 2GX13

ENF 1
 Light source: circular fluorescent tube
 2x60W, 2GX13



ENT 2

ENT 2
 Light source: circular fluorescent tube
 2x60W, 2GX13

ENT 2
 Light source: circular fluorescent tube
 2x60W, 2GX13

230V - 50Hz | | | IP 20 |



foto: Filip Šlapal



foto: Filip Šlapal