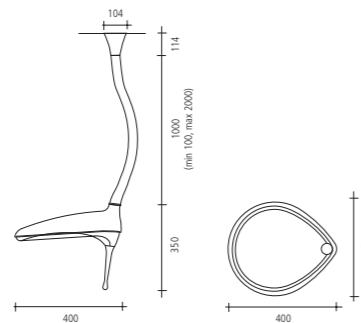


**FW 1 LED RGB OUT**

Light source: LED RGB, voltage  $\approx$  12V, input 40W  
Transformer: outside of canopy

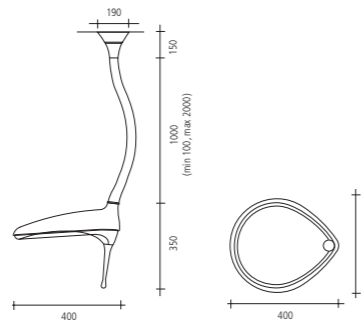


**FW 1 LED RGB OUT**

Lampe: LED RGB, Stromspannung  $\approx$  12V, Stromverbrauch 40W  
Trafo: außer Rosette

**FW 1 LED RGB IN**

Light source: LED RGB, voltage  $\approx$  12V, input 40W  
Transformer: inside canopy



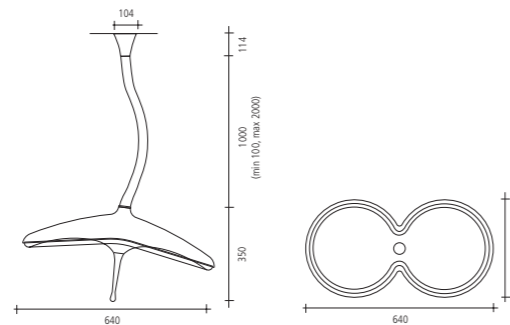
**FW 1 LED RGB IN**

Lampe: LED RGB, Stromspannung  $\approx$  12V, Stromverbrauch 40W  
Trafo: in innerem der Rosette

230V - 50Hz | | |

**FW 2 LED RGB OUT**

Light source: LED RGB, voltage  $\approx$  12V, input 80W  
Transformer: outside of canopy

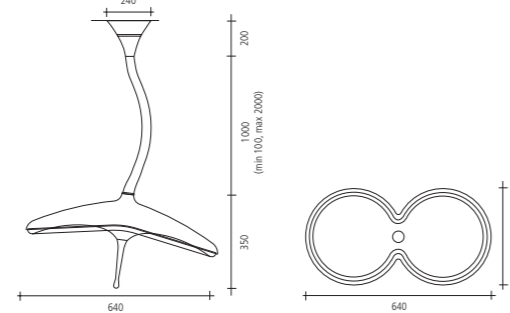


**FW 2 LED RGB OUT**

Lampe: LED RGB, Stromspannung  $\approx$  12V, Stromverbrauch 80W  
Trafo: außer Rosette

**FW 2 LED RGB IN**

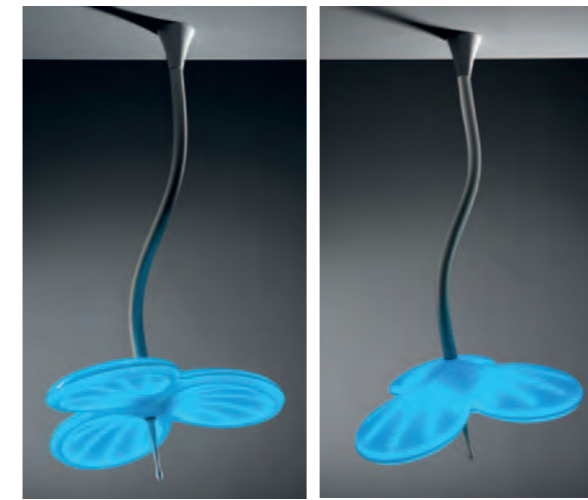
Light source: LED RGB, voltage  $\approx$  12V, input 80W  
Transformer: inside canopy



**FW 2 LED RGB IN**

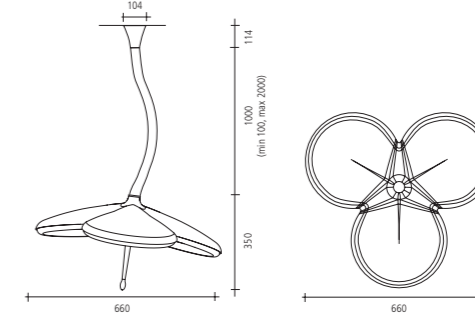
Lampe: LED RGB, Stromspannung  $\approx$  12V, Stromverbrauch 80W  
Trafo: in innerem der Rosette

230V - 50Hz | | |



**FW 3 LED RGB OUT**

Light source: LED RGB, voltage  $\approx$  12V, input 120W  
Transformer: outside of canopy

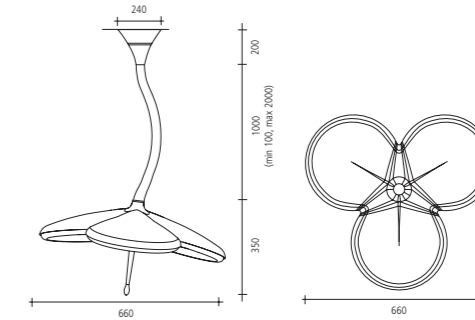


**FW 3 LED RGB OUT**

Lampe: LED RGB, Stromspannung  $\approx$  12V, Stromverbrauch 120W  
Trafo: außer Rosette

**FW 3 LED RGB IN**

Light source: LED RGB, voltage  $\approx$  12V, input 120W  
Transformer: inside canopy



**FW 3 LED RGB IN**

Lampe: LED RGB, Stromspannung  $\approx$  12V, Stromverbrauch 120W  
Trafo: in innerem der Rosette

230V - 50Hz | | |

